

APCTM

by **Schneider** Electric

Installation

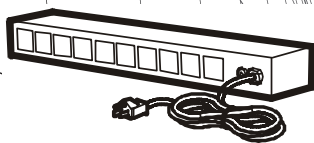
Basic Rack Power Distribution Unit

AP9572

AP9551

AP9567

AP9568





This manual is available in English on the enclosed CD.

Dieses Handbuch ist in Deutsch auf der beiliegenden CD-ROM verfügbar.

Este manual está disponible en español en el CD-ROM adjunto.

Ce manuel est disponible en français sur le CD-ROM ci-inclus.

Questo manuale è disponibile in italiano nel CD-ROM allegato.

本マニュアルの日本語版は同梱の CD-ROM からご覧になれます。

Instrukcja obsługi w języku polskim jest dostępna na CD.

Данное руководство на русском языке имеется на прилагаемом компакт-диске.

Bu kullanım kilavuzunun Türkçe'sä, äläxäkte gönderälen CD äçeräsände mevcuttur.

您可以从包含的 CD 上获得本手册的中文版本。

Contents

Preliminary Information	1
Overview	1
Receiving	1
Inventory	1
Please recycle	1
How to Install the Rack PDU	2
Mounting options	2
Toolless mounting	2
Bracket mounting	3
Warranty and Service	4
Limited warranty	4
Warranty limitations	4
Obtaining service	5

Preliminary Information

Overview

This booklet provides information for installing Basic Rack Power Distribution Units (Rack PDUs).

Receiving

Inspect the package and contents for shipping damage, and make sure that all parts were sent. Immediately report any shipping damage to the shipping agent. Report missing contents, product damage, or other problems with the product to APC or your APC reseller.

Inventory

Quantity	Item
1	Basic Rack PDU
2	Vertical-mounting brackets (870-8473)
8	8-32 flat-head screws

Please recycle



The shipping materials are recyclable. Please save them for later use, or dispose of them appropriately.

How to Install the Rack PDU

Mounting options

You can install the Rack Power Distribution Unit (Rack PDU) in one of two ways: using toolless mounting pegs (provided) or the vertical-mounting brackets (provided).

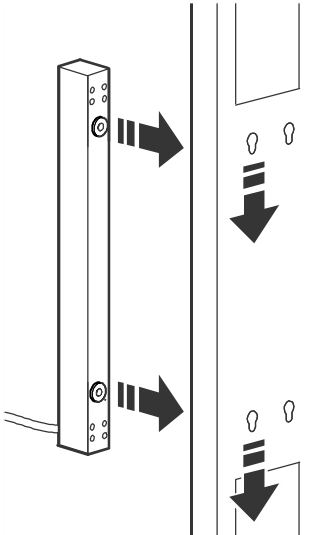
- To install the Rack Power Distribution Unit (Rack PDU) using the toolless mounting method, install it in the rear of the NetShelter® VX Enclosure, in the cable channel directly behind the rear vertical-mounting rails.
- To install the Rack Power Distribution Unit (Rack PDU) using the mounting brackets, install it on a vertical-mounting rail in the rack or enclosure.

Toolless mounting



Note: In order to mount the Rack PDU using the toolless mounting option, you must install it in a NetShelter VX Enclosure.

1. Slide both mounting pegs into the holes located in the cable channel in the rear panel of the enclosure.
2. Snap the Rack PDU into place by pushing it downward until it locks into position.



Note: You can mount two PDUs on one side of the enclosure by using the toolless mounting method.

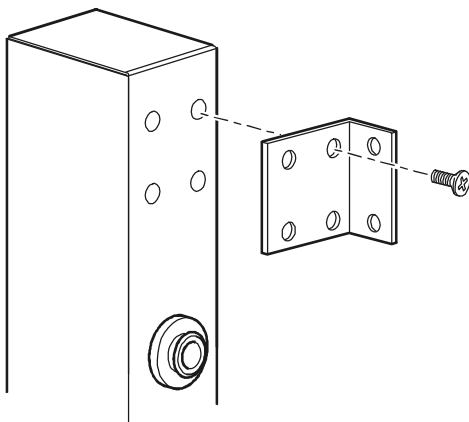
Bracket mounting

To mount the Main Module vertically in a NetShelter or any standard EIA-310-D rack or enclosure:

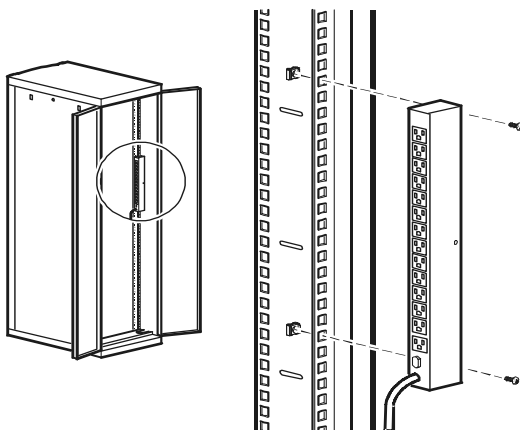
1. Attach the vertical-mounting brackets to the Main Module, using four 8-32 flat-head screws per bracket.



Note: Use only supplied screws.



2. Attach the PDU to a vertical-mounting rail in the rear of the enclosure using two additional screws per bracket (not provided).



Warranty and Service

Limited warranty

APC warrants the Rack Power Distribution Unit (Rack PDU) to be free from defects in materials and workmanship for a period of two years from the date of purchase. Its

obligation under this warranty is limited to repairing or replacing, at its own sole option, any such defective products. This warranty does not apply to equipment that has been damaged by accident, negligence, or misapplication or has been altered or modified in any way. This warranty applies only to the original purchaser.

Warranty limitations

Except as provided herein, Schneider Electric makes no warranties, express or implied, including warranties of merchantability and fitness for a particular purpose. Some jurisdictions do not permit limitation or exclusion of implied warranties; therefore, the aforesaid limitation(s) or exclusion(s) may not apply to the purchaser.

Except as provided above, in no event will Schneider Electric be liable for direct, indirect, special, incidental, or consequential damages arising out of the use of this product, even if advised of the possibility of such damage.

Specifically, Schneider Electric is not liable for any costs, such as lost profits or revenue, loss of equipment, loss of use of equipment, loss of software, loss of data, costs of substitutes, claims by third parties, or otherwise. This warranty gives you specific legal rights and you may also have other rights, which vary according to jurisdiction.

Obtaining service

1. Note the serial number and date of purchase. The serial number is located on the bottom of the PDU.
2. Contact Customer Support at www.apc.com/support.
3. If you must return the product, a technician will give you a Return Material Authorization (RMA) number. If the warranty expired, you will be charged for repair or replacement.
4. Pack the unit carefully. The warranty does not cover damage sustained in transit. Enclose a letter with your name, address, RMA number and daytime phone number; a copy of the sales receipt; and a check as payment, if applicable.
5. Mark the RMA number clearly on the outside of the shipping carton.
6. Ship by insured, prepaid carrier to the address provided by the Customer Support technician.

APC Worldwide Customer Support

Customer support for this or any other APC product is available at no charge in any of the following ways:

- Visit the APC Web site to access documents in the APC Knowledge Base and to submit customer support requests.
 - **www.apc.com** (Corporate Headquarters)
Connect to localized APC Web sites for specific countries, each of which provides customer support information.
 - **www.apc.com/support/**
Global support searching APC Knowledge Base and using e-support.
- Contact the APC Customer Support Center by telephone or e-mail.
 - Local, country-specific centers: go to **www.apc.com/support/contact** for contact information.

For information on how to obtain local customer support, contact the APC representative or other distributors from whom you purchased your APC product.

© 2012 APC by Schneider Electric. APC, the APC logo, and NetShelter are owned by Schneider Electric Industries S.A.S., American Power Conversion Corporation, or their affiliated companies. All other trademarks are property of their respective owners.